

200ES economy LED projector for graphics/symbols.

- Full aluminum alloy metal shell, high structural strength.
- Static cooled for 24/7 use.
- IP65 for outdoor use (to be protected from direct exposure of rain and snow)
- CREE super high power LED chip.
- 73mm large caliber lens.
- Multi-layer coated ultra-clear lens, clear and natural imaging.

Model	200es
LED type	Osram LED
LED power	200W
Life time	50.000h
Luminos	18000Lm
Filter size	66mm
Power supply	Meanwell
Rated voltage	AC110V-240V
Overall power	200W
IP-rating	IP65
Body size	52x37x28cm + bracket
Weight	14 kg
Shipment size	46x46x42cm
Lenses	13°, 20°, 25°, 30°, 53,5°

Lens ratios:

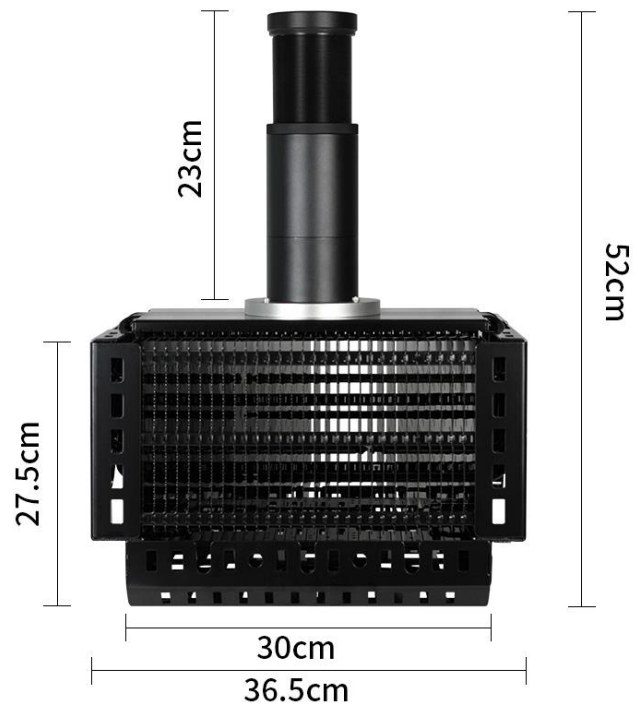
13° lens = 1:0.22

20° lens = 1:0.32

25° lens = 1:0.42

30° lens = 1:0.55

53.5° lens = 1:1



BSafe®